

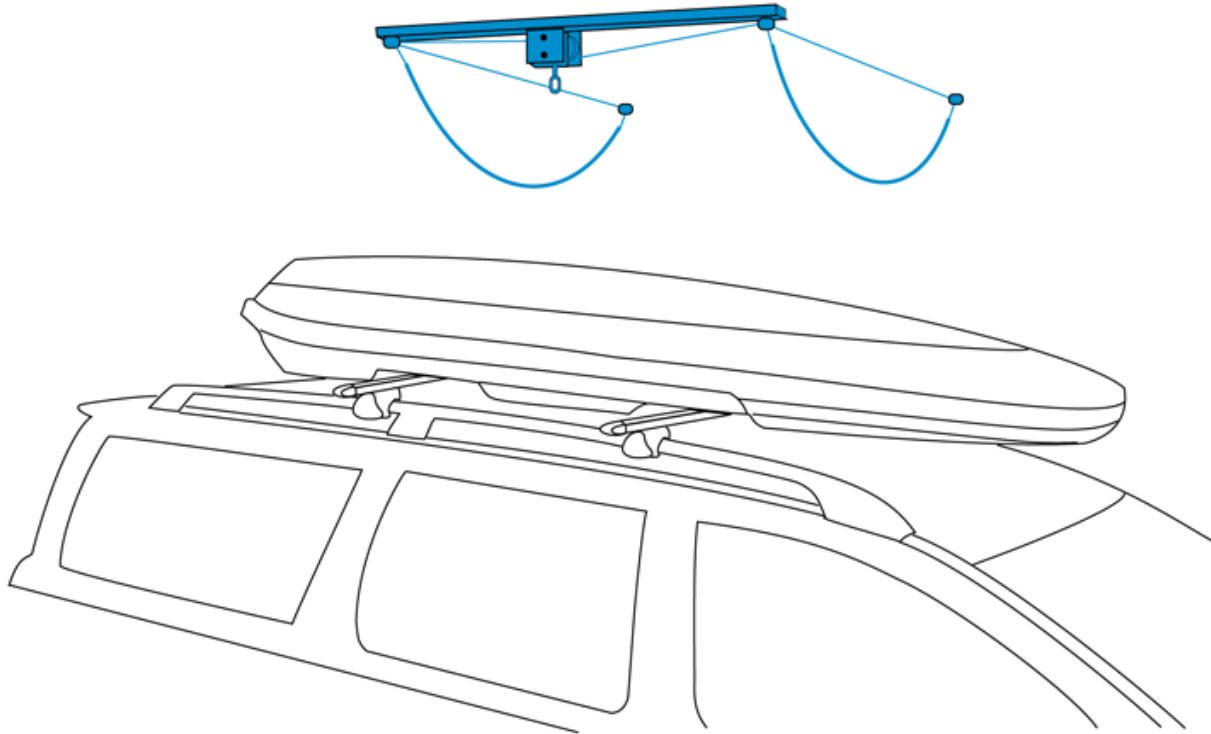


Installation instructions, accessories

Volvo Car Corporation Gothenburg, Sweden

| Instruction No | Version | Part. No. |
|----------------|---------|-----------|
| 31373991 | 1.0 | 31373989 |

Roof box lift



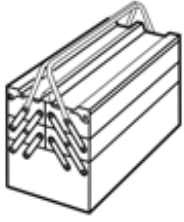
IMG-372900



Installation instructions, accessories

Volvo Car Corporation Gothenburg, Sweden

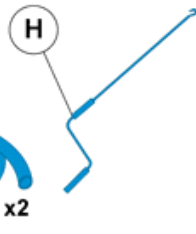
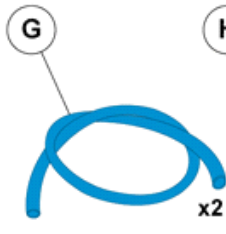
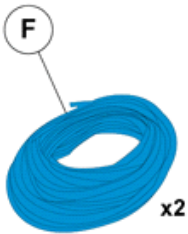
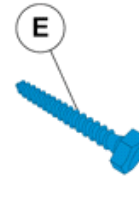
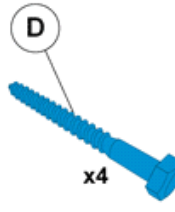
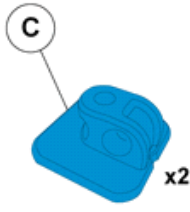
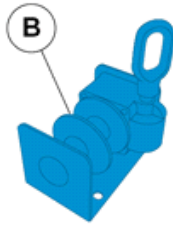
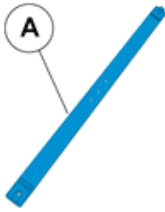
Equipment



A0000162



IMG-239660



IMG-372933



Installation instructions, accessories

Volvo Car Corporation Gothenburg, Sweden

INTRODUCTION

Read through all of the instructions before starting installation.

Notifications and warning texts are for your safety and to minimise the risk of something breaking during installation.

Ensure that all tools stated in the instructions are available before starting installation.

Certain steps in the instructions are only presented in the form of images. Explanatory text is also given for more complicated steps.

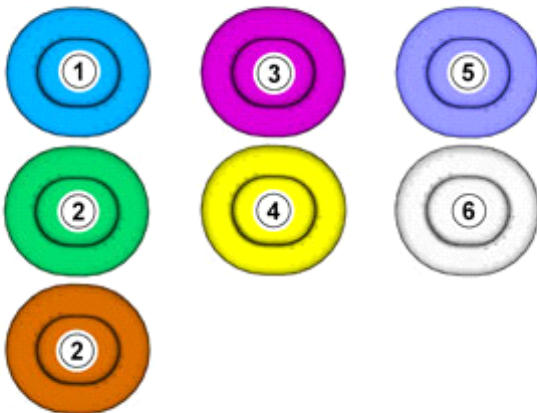
In the event of any problems with the instructions or the accessory, contact your local Volvo dealer.

Note!

Some steps in these installation instructions are presented with illustration only.

Color symbols

1



IMG-363036

Color symbols

Note!

This colour chart displays (in colour print and electronic version) the importance of the different colours used in the images of the method steps.

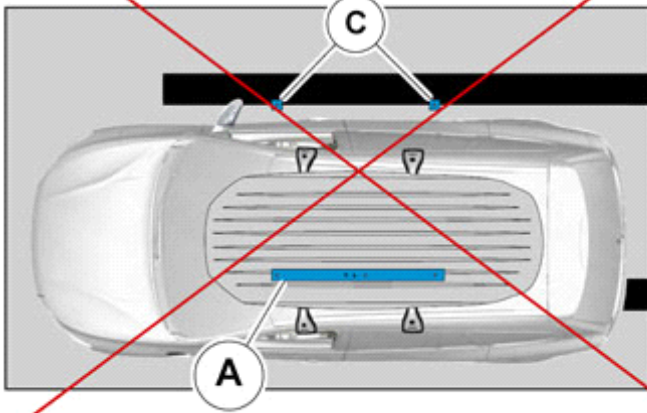
1. Used for focused part, the part that you are to do something with.
2. Used as extra colors when you need to show or differentiate additional parts.
3. Used for attachments that are to be removed/installed. May be screws, clips, connectors, etc.
4. Used when the component is not fully removed from the vehicle but only hung to the side.
5. Used for standard tools and special tools.
6. Used as background color for vehicle components.



Installation instructions, accessories

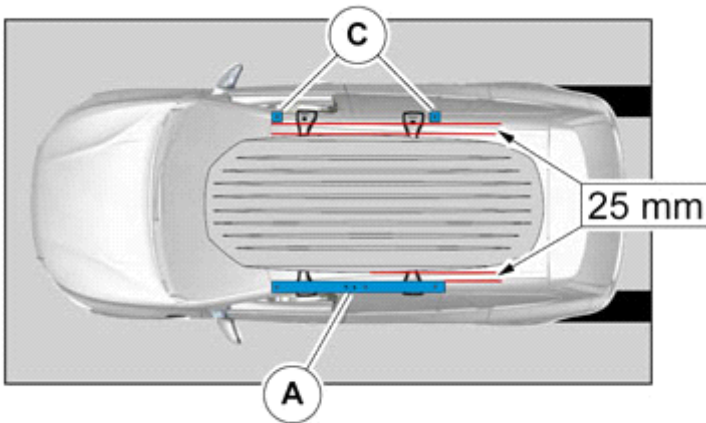
Volvo Car Corporation Gothenburg, Sweden

2



IMG-373064

3



IMG-372973

Position the car in its normal place in the garage with the roof box mounted.

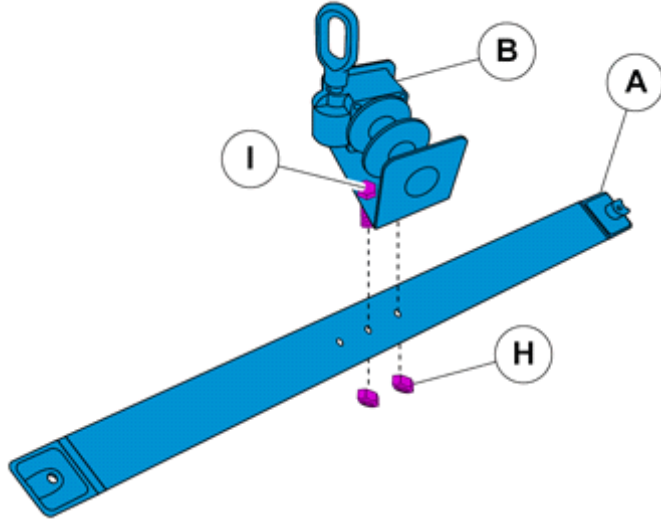
The rail and eyelets must be installed 50 mm wider than the roof box.



Installation instructions, accessories

Volvo Car Corporation Gothenburg, Sweden

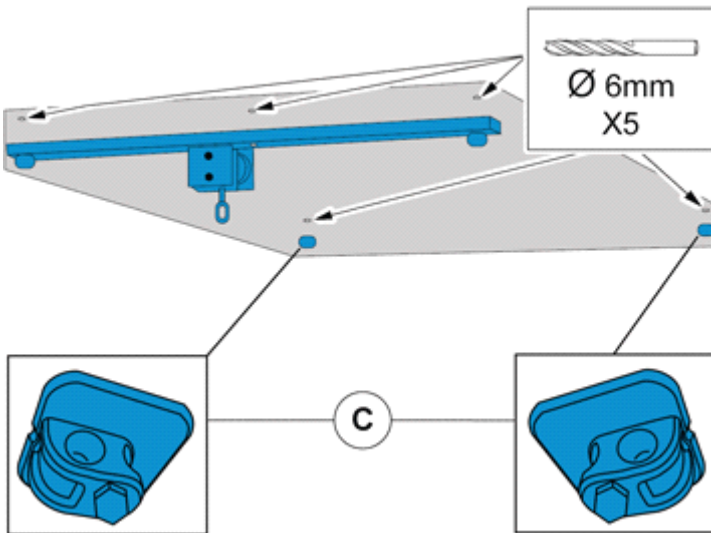
4



IMG-372981

Screw the gear housing into the two oblique holes.

5



IMG-372984

Mark out where the holes for the rail and eyelets are to be drilled.

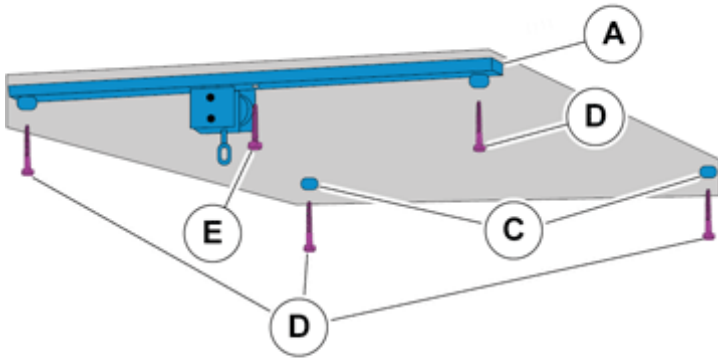
Drill a depth of 55 mm.



Installation instructions, accessories

Volvo Car Corporation Gothenburg, Sweden

6



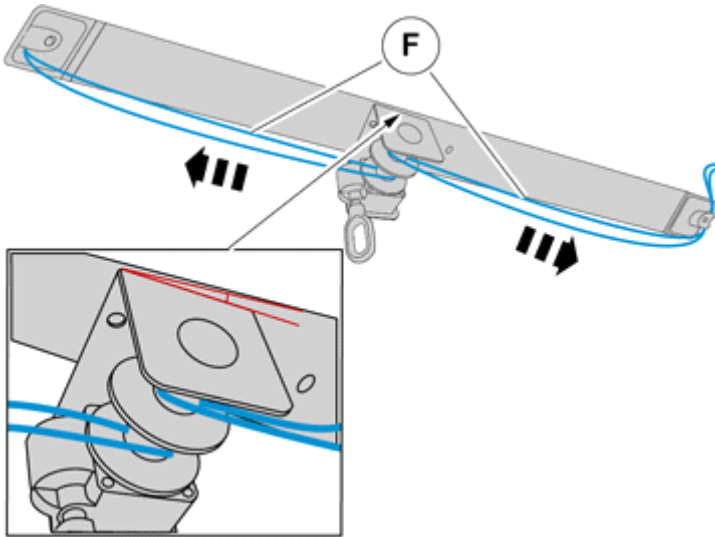
Note!

The installation must be performed professionally so that the screws are properly and permanently attached to the ceiling. For installation in concrete, light concrete or similar, consult a professional about appropriate fasteners.

Screw the rail and eyelets into place.

IMG-372992

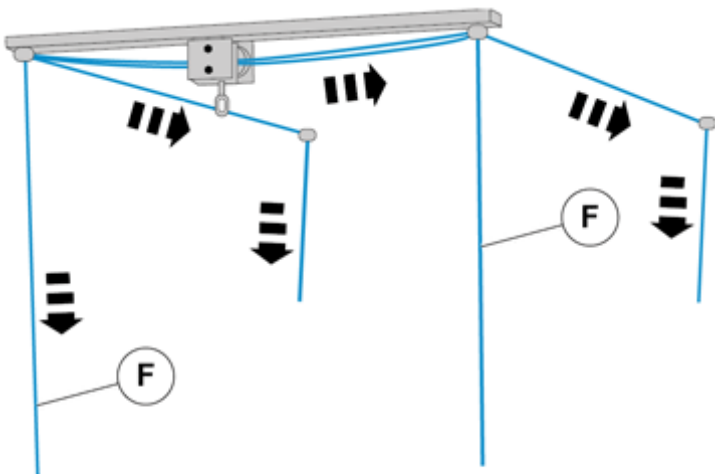
7



Pass a rope through each pulley.

IMG-373021

8



Continue routing the ropes to the eyelets.

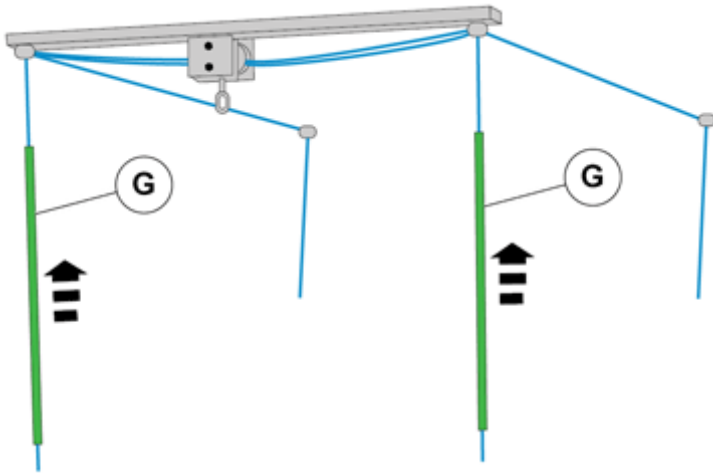
IMG-373022



Installation instructions, accessories

Volvo Car Corporation Gothenburg, Sweden

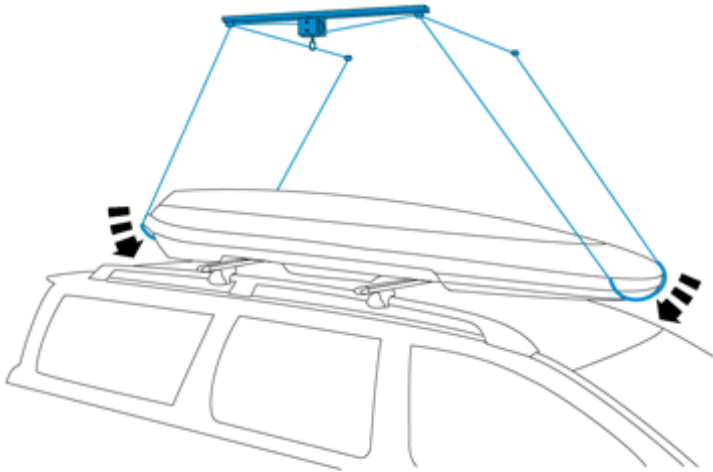
9



Pull the tubing over the ropes.

IMG-373037

10

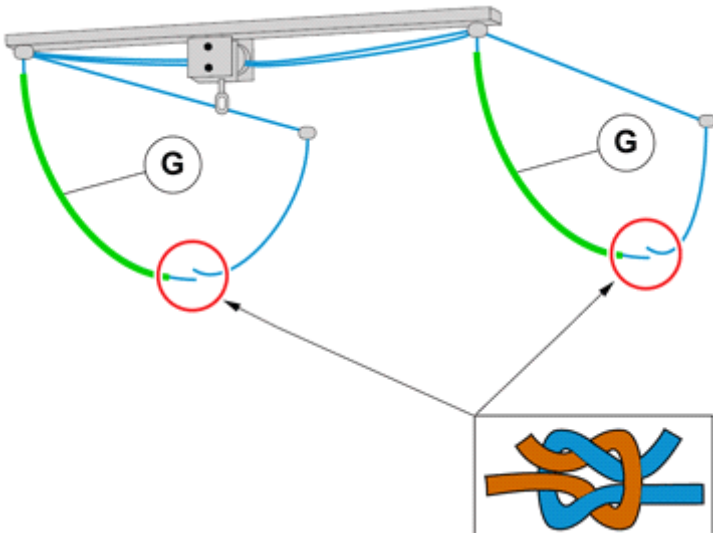


Note!

Note that the ropes must reach over the front and rear of the ski box.

IMG-373048

11



Tie the ropes securely so that the knot does not go up.

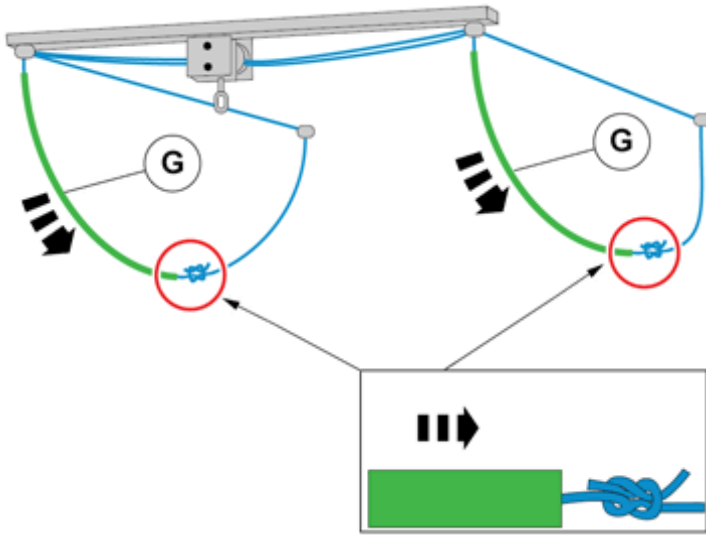
IMG-373034



Installation instructions, accessories

Volvo Car Corporation Gothenburg, Sweden

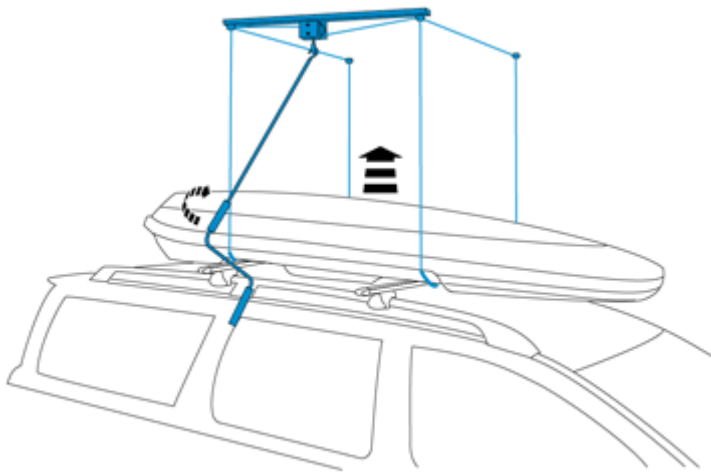
12



Pull the tubing over the knot.

IMG-373032

13



Crank up the empty ski box.

IMG-373049